

THREE-PHASE-ASYNCHRONOUS-MOTOR ACA 132 MB 6 /PHE

IE3AC13MB602

General data

Type of motor	3~
Type designation	ACA
Frame size	132
Mounting	B3
Frame execution	M
Frame material	Aluminium
Insulationclass	F/B
Terminal box location	top DE
Terminal box orientation	cable gland to the right side
Weight (kg)	59
Rotation Direction	right /left
Vibration level	A
Balancing method	half key
cooling type	IC411
Executed acc. to	IEC 60034-1
noise level	IEC 60034-9

Influential factors

Duty	S1
Ambient temperature (°C)	-20 up to +40
Height of location (m)	1000

Electrical specification

Power 1 50Hz (kW)	5.5
Power 1 60Hz (kW)	5.5
Frequency (Hz)	50/60
Voltage 50Hz (V)	400/690
Voltage 60Hz (V)	460/795
Voltage/Frequency tolerance (not valid for range voltage)	+/-10%
Connection	Δ/Y
Poles	6
Efficiency 100% 50Hz (%)	88,0
Efficiency 75% 50Hz (%)	88,0
Efficiency 50% 50Hz (%)	86,2
Efficiency 100% 60Hz (%)	91,0
Efficiency 75% 60Hz (%)	91,0
Efficiency 50% 60Hz (%)	89,2
Power factor	0,75
Starting current factor	7,1
Starting torque factor	2
Tilting moment factor	2,1
Rated current 50Hz (A)	12,03/6,97
Rated current 60Hz (A)	10,11/5,83
Eff.Cl.50Hz	IE3

Electrical specification

Eff.Cl.60Hz	IE3
-------------	-----

Mechanical data

Torque (Nm)	54,26/45,24
Rotation speed (1/min)	968/1161
Bearing DE	6308.ZZ.C3
Bearing NDE	6308.ZZ.C3
Mounting of bearing DE	loose bearing
Mounting of bearing NDE	loose bearing
Bearing lifetime	20000
allow. Radial load (X/2)	1950
allow. Radial load (X0)	2175
allow. Radial load (Xmax)	1725
allow. Axial load B3,B5,B35,B14,B34	1725
allow. Axial load V1,V3,V19,V18	1675
Moment of inertia	0,043

Motor properties

Color	RAL7030
Paint surface	shiny
Protection class	IP55
Cable gland size (cable connection)	1xM32x1,5 1xblind plug
Cable gland size (option)	M16x1,5
Cable gland type	Standard
Shaft end	38 x 80
Shaft material	C45
Specification NDE	Plastic fan

Additional operating points

Voltage operating point 2	460/795
Power operating point 2 (kW)	6.6
Connection operating point 2	Δ/Y
Frequency operating point 2	60
Efficiency class operating point 2	IE2

Additional option

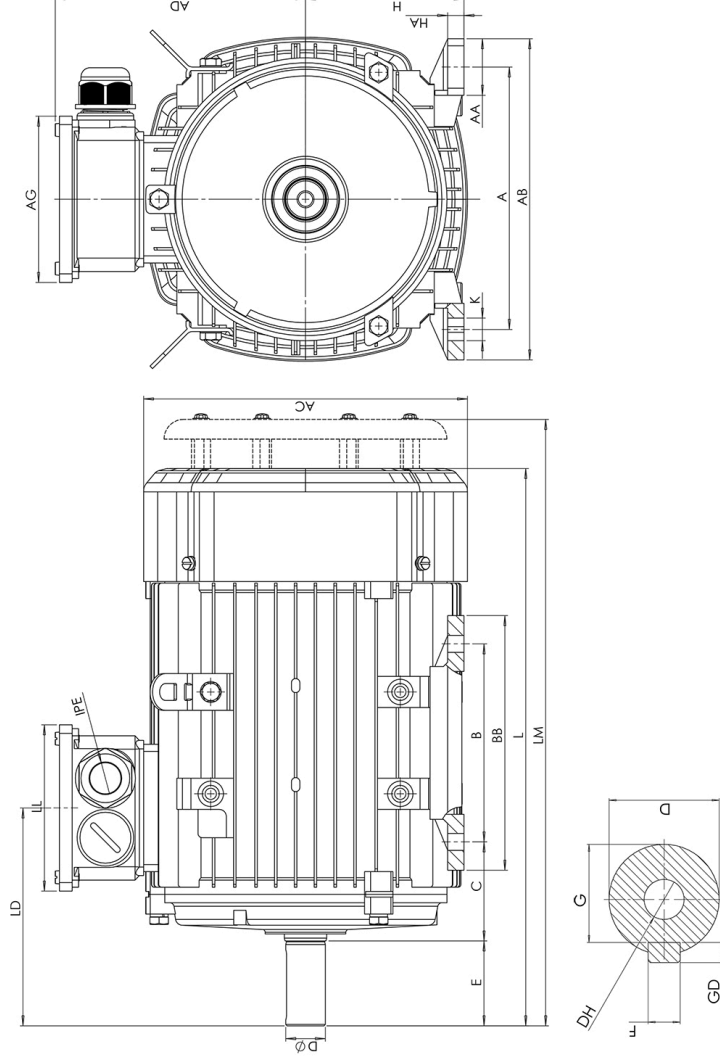
Protection winding	PTC 150°C
--------------------	-----------

Dimension drawings

Three-Phase-Asynchronous- Motor ACA 132 MB 6 /PHE IE3AC13MB602



Die Zeichnung dient lediglich als Skizze um Maße darzustellen. Das gelieferte Produkt kann von dieser Skizze abweichen. Die detaillierte Beschreibung des Produkts befindet sich im Datenabschnitt (Seite 1).
 The drawing serves only as a sketch to show dimensions. The delivered product may differ from this sketch. The detailed description of the product can be found in the Data section (page 1).



A	AA	AB	AC	AD	AG	B	BB	C	D	E	H	HA	K	L	LM	LL	F	G	DH	ED	EB	GD
216	51	262	258	191	117,5	178	224	89	38	80	132	15	12x16	483	523	117,5	10	33	M12x28	7,5	65	8